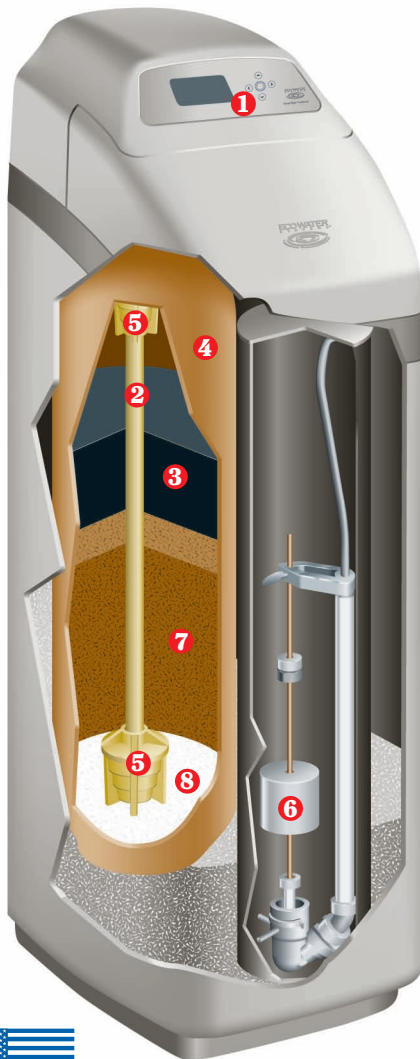


# ERR 3500

ECOWATER SERIES • WATER REFINING SYSTEM®



Made in USA

## Patented Exclusive Features

- Teflon Disc Valve
- Electronics
- Design
- Remote
- Salt Level Monitor
- Stratified Resin Bed



SERIES 3500  
HYDROLINK® REMOTE

**FC** Tested to comply with FCC Standards IC3590A-7695.



## Water Refining System®

- 1 Patented Electronic Digital Demand Module**  
Solid-state electronics record usage patterns and control regeneration frequency based on predicted needs. Full menu-driven options.
- 2 Full One-Inch Riser**  
One-inch diameter for increased flow rates, which ensures that household demand is adequately met.
- 3 Carbon for Chlorine Taste and Odor Removal**  
The ERR 3500 unit features coconut shell carbon for chlorine taste and odor removal.
- 4 Multi-Wrap Fiberglass Reinforced Resin Tank**  
Durable fiberglass-wrapped exterior for strength doesn't deteriorate, rust or corrode.
- 5 Self-Cleaning Distributors**  
Distributors exhibit excellent flow rates and are cleaned automatically by counter-current water pressure.
- 6 Positive-Action Brine Valve**  
Snap-together construction eliminates use of solvents that may contaminate water. Positive action helps prevent overflowing.  
Patented Six/Eight-Cycle Valve with Easy-Clamp Ring and Patented Teflon® Discs
- 7 Patented Stratified Resin Bed**  
Patented blend of stratified resins provides superior filtration without sacrificing flow rate capability.
- 8 Washed Quartz Underbedding**  
Washed quartz doesn't impart hardness into softened water and allows for more powerful "piston effect" during counter-current cycles.
- 9 HydroLink® Remote (patent pending)**  
Two-way remote technology that makes it possible to control and monitor the Series 3500 Water Refining System® and optional reverse osmosis system from anywhere in the home.

### Multi-Media System – Extends Resin Life

Carbon removes harmful chlorine which can attack the resin, extending the life of the system.

### 24-Volt Transformer – ENERGY STAR® qualified

### Barium and Radium

This system has been tested and certified by NSF International and WQA against NSF/ANSI Standard 44 for the reduction of Barium and Radium 226/228.



A Marmon Water/Berkshire Hathaway Company

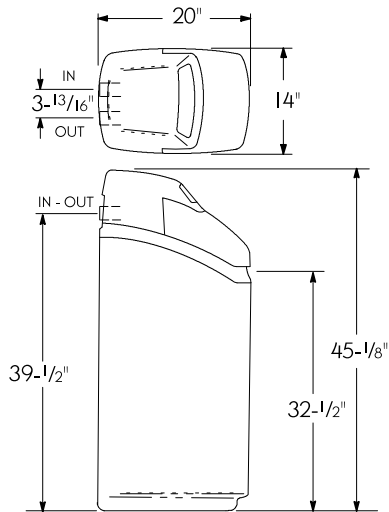
The Science Behind Better Water®

\*Teflon is a registered trademark of DuPont.

ECOWATER.COM

# ERR 3500

## DIMENSIONS



	<b>ERR 3500R20</b>
Nominal Resin Tank Size	10" Dia. x 35"



## SPECIFICATIONS

<b>ERR 3500R20</b>	
Efficiency (gr./lb. @ min. lb. salt dose)	4440 @ 1.4
Hardness Capacity (gr. @ max. lb. salt dose)	22,200 @ 8.9
Certified Flow Rate (gpm @ psi)	9 @ 8
Intermittent Flow Rate (gpm @ psi) <sup>1</sup>	14.8 @ 15
Intermittent Flow Rate (gpm @ psi) <sup>1</sup>	23.6 @ 30
Patented Resin Bed #5,464,532 (lbs.)	38
Quartz Gravel Base (lbs.)	10
Maximum Water Hardness (grains per gallon)	50
Maximum Chlorine (ppm)	4
Approximate Water Used Each Regeneration (gal.) <sup>2</sup>	39
Salt Storage Capacity (lbs.)	200
Supply Water Pressure Limits (psi) <sup>3</sup>	20 – 125
Supply Water Temperature Limits (°F)	40 – 120
Ambient Temperature Range (°F)	35 – 150
Plumbing Connection Provided (inches)	1 to 1½
Electrical Rating (transformer provided)	24V-50/60Hz

<sup>1</sup>Intermittent flow rate does not represent the maximum service flow rate used for determining the refiner's rated capacity and efficiency. Continuous operation at flow rates greater than the certified flow rate may affect capacity and efficiency performance. The validity of this flow rate is verified by NSF.

<sup>2</sup>When operated at 35 psi water pressure

<sup>3</sup>Maximum pressure for Canadian use is 7.0 Kg/cm<sup>2</sup>



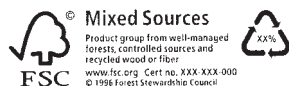
EcoWater Systems LLC  
P.O. Box 64420  
St. Paul, MN 55164-0420  
www.ecowater.com

EcoWater Systems Ltd.  
#1 Independent Bus. Pk. Mill Rd.  
Stokenchurch, Bucks  
United Kingdom HP14 3TP

EcoWater Canada Ltd.  
5240 Bradco Blvd.  
Mississauga, Ontario  
Canada L4W 1G7

EcoWater Systems Europe N.V.  
Geelseweg 56  
2250 Olen  
Belgium

Kunshan EcoWater Systems Company, Ltd.  
483 San Xiang Road  
Kunshan Economic & Technical  
Development Zone  
Kunshan, Jiangsu Province, PRC 215335



0602876 (Rev. E) 05/09

Printed in the U.S.A.

© 2009 EcoWater Systems LLC