

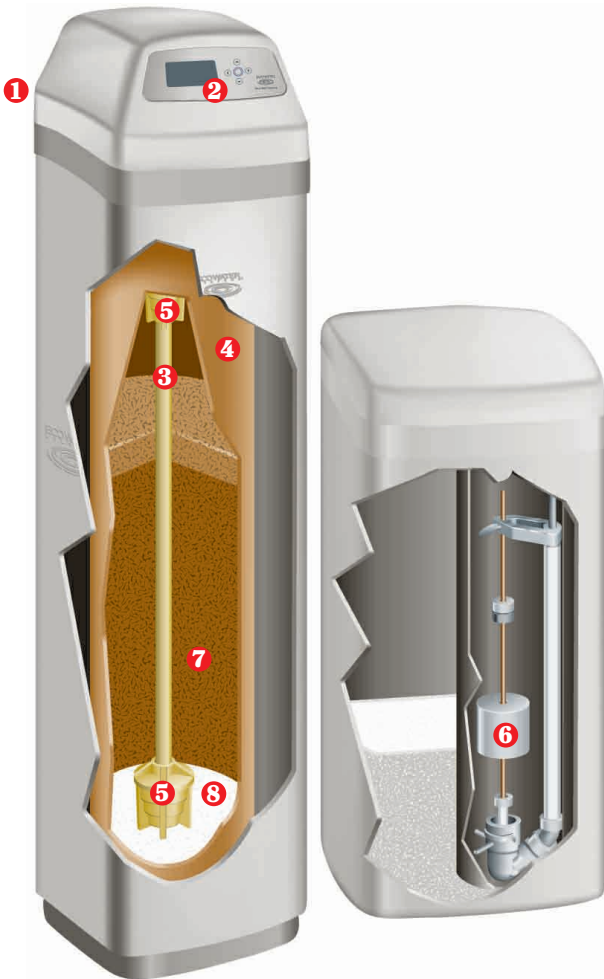
ECR 3502

ECOWATER SERIES • WATER CONDITIONER

It's That Good.®



The Latest Technology for Water Treatment



- 1 Bypass Valve (optional)**
Brass-free and lead-free bypass valve lets you manually bypass the system.
- 2 Patented Electronic Digital Demand Module**
Solid-state electronics record usage patterns and control regeneration frequency based on predicted needs. Full menu-driven options.
- 3 Full One-Inch Riser**
One-inch diameter for increased flow rates, which ensures that household demand is adequately met.
- 4 Multi-Wrap Fiberglass Reinforced Resin Tank**
Polymeric tank liner with a fiberglass wrapped exterior for strength. Doesn't deteriorate, rust, or corrode.
- 5 Self-Cleaning Distributors**
Distributors exhibit excellent flow rates and are cleaned automatically by counter-current water pressure.
- 6 Positive-Action Brine Valve**
Snap-together construction eliminates use of solvents that may contaminate water. Positive action helps prevent overfilling.
- 7 Patented Stratified Resin Bed**
Patented mix of stratified resins provides superior filtration and iron removal without sacrificing flow rate capability.
- 8 Washed Quartz Underbedding**
Washed quartz doesn't impart hardness into softened water and allows for more powerful "piston effect" during counter-current cycles.

- 9 HydroLink™ Remote (patent pending)**
Two-way remote technology that makes it possible to control and monitor the Series 3500 water conditioner from anywhere in the home.

24-Volt Transformer – ENERGY STAR® qualified

Barium and Radium

This conditioner has been tested and certified by NSF International and WQA against NSF/ANSI Standard 44 for the reduction of Barium and Radium 226/228.

Patented Exclusive Features

- Teflon Disc Valve
- Electronics
- Design
- Remote
- Salt Level Monitor
- Stratified Resin Bed



SERIES 3500
HYDROLINK™ REMOTE

FC Tested to comply with FCC Standards IC3590A-7695.



Made in USA



ECOWATER
SYSTEMS®



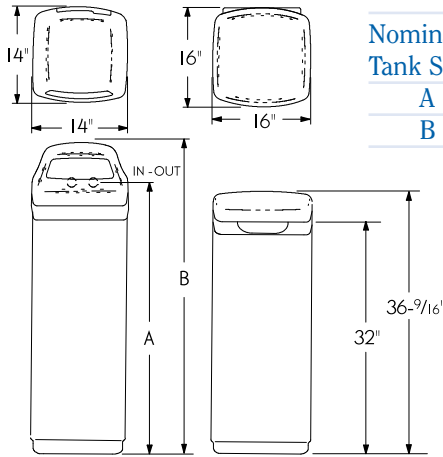
SINCE 1925.

*Teflon is a registered trademark of DuPont.

ECOWATER.COM

ECR 3502

DIMENSIONS



	ECR 3502R30	ECR 3502R40	ECR 3502R70
Nominal Resin Tank Size	10" Dia. x 35"	10" Dia. x 47"	12" Dia. x 54"
A	39.5"	51.3"	57.1"
B	44.8"	56.6"	62.2"



SPECIFICATIONS

	ECR 3502R30	ECR 3502R40	ECR 3502R70
Efficiency (gr./lb. @ min. lb. salt dose)	5160 @ 1.6	5150 @ 2.2	5310 @ 6.2
Hardness Capacity (gr. @ max. lb. salt dose)	30,200 @ 11.3	40,100 @ 14.8	71,500 @ 19.3
Certified Flow Rate (gpm @ psi)	11 @ 8	12 @ 13	12 @ 11
Intermittent Flow Rate (gpm @ psi) ¹	16.5 @ 15	13.6 @ 15	17.0 @ 15
Intermittent Flow Rate (gpm @ psi) ¹	25.8 @ 30	21.6 @ 30	22.0 @ 30
Patented Resin Bed #5,464,532 (lbs.)	47	63	109
Quartz Gravel Base (lbs.)	10	10	12
Maximum Water Hardness (grains per gallon)	60	75	125
Maximum Clear Water Iron (ppm-Fe) ²	12	15	15
Approximate Water Used Each Regeneration (gal.) ³	36	51	104
Salt Storage Capacity (lbs.)	300	300	300
Supply Water Pressure Limits (psi) ⁴	20 – 125	20 – 125	20 – 125
Supply Water Temperature Limits (°F)	40 – 120	40 – 120	40 – 120
Ambient Temperature Range (°F)	35 – 150	35 – 150	35 – 150
Plumbing Connection Provided (inches)	1 to 1½	1 to 1½	1 to 1½
Electrical Rating (transformer provided)	24V-50/60Hz	24V-50/60Hz	24V-50/60Hz

¹Intermittent flow rate does not represent the maximum service flow rate used for determining the conditioner's rated capacity and efficiency. Continuous operation at flow rates greater than the certified flow rate may affect capacity and efficiency performance. The validity of these flow rates is verified by NSF.

²Increased amounts of clear water iron can reduce conditioners efficiency. Refer to owner's manual for details. Wisconsin requires additional treatment if water supply contains greater than 5 ppm clear water iron.

³When operated at 35 psi water pressure

⁴Maximum pressure for Canadian use is 7.0 Kg/cm²

ECOWATER
SYSTEMS



SINCE 1925.



Powered by an ENERGY STAR® qualified adapter for a better environment



EcoWater Systems LLC
P.O. Box 64420
St. Paul, MN 55164-0420
www.ecowater.com

EcoWater Systems Ltd.
#1 Independent Bus. Pk. Mill Rd.
Stokenchurch, Bucks
United Kingdom HP14 3TP

EcoWater Canada Ltd.
5240 Bradco Blvd.
Mississauga, Ontario
Canada L4W 1G7

EcoWater Systems Europe N.V.
Geelseweg 56
2250 Olen
Belgium

Kunshan EcoWater Systems Company, Ltd.
483 San Xiang Road
Kunshan Economic & Technical
Development Zone
Kunshan, Jiangsu Province, PRC 215335

 A member of The Marmon Group of companies

0602880 (Rev. C) 05/07

Printed in the U.S.A.

© 2007 EcoWater Systems LLC

ECOWATER.COM