

EPS 1000

ECOWATER SERIES • DRINKING WATER SYSTEM

Certified to Reduce:



99.9999% bacteria



99.99% viruses



99.95% cysts



Purification System

EPS 1000

A microbiological drinking water purification system certified to meet or exceed the EPA requirement for the removal of bacteria, viruses and cysts such as giardia and cryptosporidia without ultra violet technologies. The EPS 1000 can be installed on both municipal and well water supplies.

How the EPS 1000 works:

Household water is directed through a pre-filter where lead, chlorine taste and odor and sediment are reduced. The water then passes through the purifying filter where bacteria, cysts, viruses and volatile organic compounds (VOCs) are reduced. The only thing left behind is pure water and minerals that help improve the taste of filtered water.

Features and Benefits:

- Provides great tasting pure water for cooking and drinking – eliminates the need for bottled water.
- Independently tested and certified to:
 - Meet or exceed the EPA requirement for the reduction of bacteria, viruses and cysts such as giardia and cryptosporidia. Contaminants that are known to generate boil alerts.
 - Reduce 53 volatile organic compounds.
 - Reduce lead and chlorine taste and odor.
- Compact design with no storage tank – saves valuable under-sink storage space.
- No waste water during filtration process; a great GREEN drinking water filtration solution.
- Minerals are retained for improved taste.
- Fail-safe shutoff provides a sense of security regarding quality of drinking water.
- Encapsulated replacement filters with sealed outer shell to ensure that every filter change is sanitary and dry.

Options:

- High quality, elegant faucet available in five finishes.
- System can be expanded and customized based on individual filtration needs for problem water.



Made in USA



Chrome

Brushed Nickel

Oil-Rubbed Bronze

White

Black



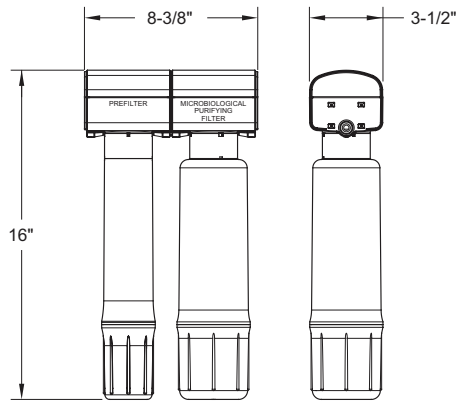
A Marmon Water/Berkshire Hathaway Company



ECOWATER.COM

EPS 1000

DIMENSIONS



Warranty:

- Five years on the drinking water system for defects in material and workmanship.
- Prefilter and microbiological purifying filter cartridges are not covered by the warranty.

SPECIFICATIONS

EPS 1000

Feed water pressure (min.-max.)	40-100 psi
Feed water temperature (min.-max.)	40-100°F
Flow rate (max.)	0.74 gpm
Maximum iron/manganese	0
Maximum hydrogen sulfide	0
Prefilter (sediment/chlorine)	block carbon
Microbiological Filter	purifying media
Shipping weight	5.25 lbs.

*Tested to NSF/ANSI Standard 42 and 53.

EPS 1000: For municipal and well water applications.

Typical impurities reduced by an EcoWater Purification Drinking Water System Model EPS 1000 System.

- Chlorine – 2,4-D
- Sediment – Endrin
- Lead – Haloacetonitriles (HAN)
- Bacteria – Heptachlor
- Virus – Lindane
- Cysts (Giardia/Cryptosporidia) – Methoxychlor
- Pharmaceuticals – Pentachlorophenol
- Endocrine Disrupting Chemicals – Styrene
- VOC's (53 Compounds): – Toluene
- Atrazine – Tribromoacetic Acid
- Benzene – Trihalomethanes
- Carbon Tetrachloride – Xylenes (total)

Tested and Certified to NSF/ANSI Standard 42 & 53 by NSF International.



EcoWater Systems LLC
P.O. Box 64420
St. Paul, MN 55164-0420
www.ecowater.com

EcoWater Systems Ltd.
#1 Independent Bus. Pk. Mill Rd.
Stokenchurch, Bucks
United Kingdom HP14 3TP

EcoWater Canada Ltd.
5240 Bradco Blvd.
Mississauga, Ontario
Canada L4W 1G7

EcoWater Systems Europe N.V.
Geelseweg 56
2250 Olen
Belgium

Kunshan EcoWater Systems Company, Ltd.
483 San Xiang Road
Kunshan Economic & Technical
Development Zone
Kunshan, Jiangsu Province, PRC 215335



Mixed Sources
Product group from well-managed forests, controlled sources and recycled wood or fiber
www.fsc.org Cert no. XXX-XXX-000
© 1996 Forest Stewardship Council



0602896 10/10

Printed in the U.S.A.

© 2010 EcoWater Systems LLC

ECOWATER.COM